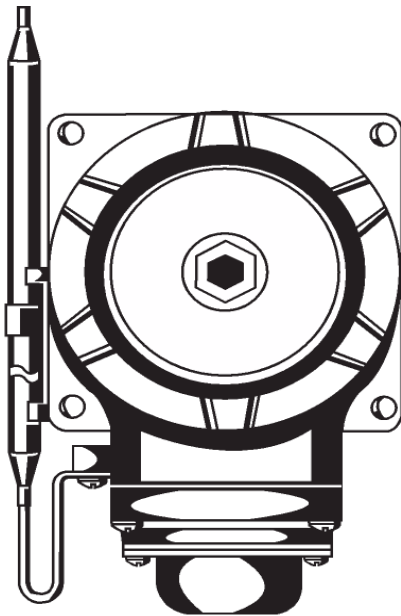


LMI MANUFACTURING GROUP, LLC  
 1802 North Carson Street, Suite 212-2656  
 Carson City, NV 89701  
 (P)866-770-9416 (F)877-469-3625

### OTS-3A Description

LMI's OTS-3A is an explosion proof and weatherproof temperature control suitable for indoor or outdoor use. The lightweight NEMA 4, 7,

## OTS-3A AND OTS-4A THERMOSTATS



Shown here is the OTS-3A, the OTS-4A has the same enclosure with a SS sensor mounted to enclosure.

9 & IP65 enclosure is made of die cast aluminum featuring gray aluminum lacquer.

### Applications

OTS-3A thermostats typically control:  
 ~ Pipe Tracing Systems in classified areas.

### Approvals

*Hazardous:* UL Listed, CSA Certified and FM Approved for use in the following categories:

<b>UL</b>	<b>CSA/FM</b>
Class I, Div. 1&2 Grps. B, C &D	Class I, Div. 1&2 Grps. B, C &D
Class II, Div. 1&2 Grps. E, F & G	Class II, Div. 1&2 Grps. E, F &G
	Class III, Div. 1&2

### OTS-4A Description

LMI's OTS-4A is an explosion proof and weatherproof temperature control suitable for indoor or outdoor use. The lightweight NEMA 4, 7 9 & IP65 enclosure is made of die cast aluminum featuring gray aluminum laquer.

### Applications

OTS-4A thermostats typically control:  
 - Pipe Tracing Systems in classified areas.

### Approvals

*Hazardous:* UL Listed, CSA Certified and FM Approved for use in the following categories:

<b>UL</b>	<b>CSA/FM</b>
Class I, Div. 1&2 Grps. B, C &D	Class I, Div. 1&2 Grps. C &D
Class II, Div. 1&2 Grps. E, F & G	Class II, Div. 1&2 Grps. E, F &G
	Class III, Div. 1&2



## OTS-3A Specifications

**Enclosure:** NEMA 4, 7, 9 & IP65. Die cast aluminum with silver-painted anodized aluminum. Tamperproof external adjustment.

**Connection:** Screw terminals on covered terminal strip through  $\frac{3}{4}$ " NPT conduit connection.

**Switch:** Single pole, double throw, snap action switching element.

**Range:** 25°F to 325°F

**Ambient Range of Enclosure:** -40°F to 160°F

**Rating:** 22 Amps up to 480 VAC

**Sensor:** 10' SS capillary  
.312" x 7.75" bulb

**Differential:** 10°F (approximate)

**Wiring:** Open on temperature rise - wire to C and NC

## OTS-4A Specifications

**Enclosure:** NEMA 4, 7, 9, & IP65. Die cast aluminum anodized with silver-painted aluminum. Tamperproof external adjustment.

**Connection:** Screw terminals on covered terminal strip through  $\frac{3}{4}$ " NPT conduit connection.

**Switch:** Single pole, double throw, snap action switching element.

**Range:** 15°F to 140°F

**Ambient Range of Enclosure:** -40°F to 160°F

**Rating:** 22 Amps up to 480 VAC. **Sensor:** 316L SS sensor. **Differential:** 10°F (approximate)

**Wiring:** Open on temperature rise - wire to C and NC

